

CoolPV® is a PV-T panel assembly that consists of a SolarWorld Sunmodule Protect PV module that is OEM retrofitted by FAFCO® with a FAFCO® thermal collector system.

Module Characteristics

Panel Area	18 ft ²
Panel Dimensions (HxWxD)	65.9 x 39.4 x 4.5 in
Weight	62.6 lbs
Roof load	3.5 psf
Fluid Capacity	0.8 gal
Fluid Connection Type	FAFCO Proprietary
Electrical Connection Type	H4

Electrical Characteristics*

275W

Rated Electrical Output (Pmax)	275 Watts
Open Circuit Voltage (Voc)	39.4 V
Rated Voltage (Vmp)	31.0 V
Short Circuit Current (Isc)	9.58 A
Rated Current (Imp)	8.94 A
Electrical Efficiency	16.4%
Temperature Coefficient - Pmax	-0.43 % / K
Temperature Coefficient - Voc	-0.31 % / K
Temperature Coefficient - Isc	0.044 % / K
System Voltage Max	1000 VDC
Capacity Tolerance	-0% / +5 % Wp
Cells, Number/Type	60 / Monocrystalline
NOCT	48C

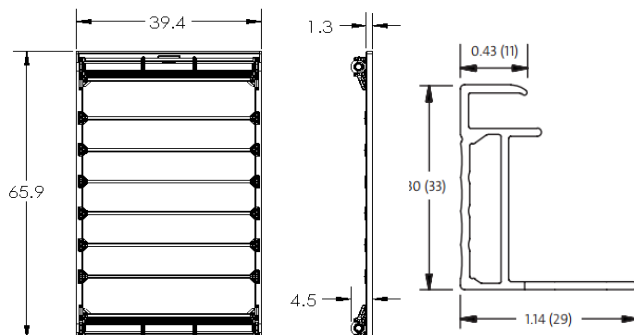
*All performance data calculated at STC (Standard Test Conditions) 25 C, 1000 W / m², 1.5 AM

Thermal Characteristics*

Heat Output	3400 btu / hr (1000 Watts)
Operating Pressure (<100 F)	20 psi
Test Pressure	50 psi
Recommended Flow Rate	1.5 gpm
Delta T (at y intercept)	3 F
Operating Temperature Range (typical)	60-100 F
Stagnation Temperature	175 F

*All performance data calculated at STC (Standard Test Conditions) 25 C, 1000 W / m², 1.5 AM, Inlet Water of 20 C

Mechanical Characteristics



Maximum Design Loads

Two Rail System	113 psf downward / 64 psf upward
Three Rail System	178 psf downward / 64 psf upward
<i>Certifications / Compliance</i>	
Electrical	UL1703
Fire	UL1703 - Class A
Thermal	SRCC OG100